

Small, but powerful. We pushed performance engineering to all new levels to create a small, efficient gyro. The Seakeeper 5 is designed to eliminate up to 95% of boat roll on ~40' - 49' boats, up to ~20 tons.

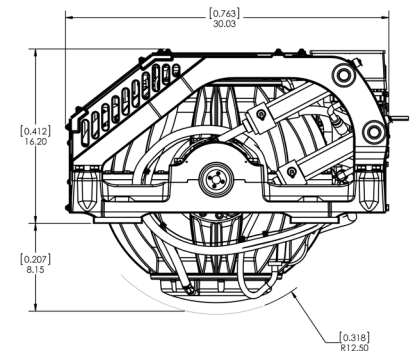
**Also available in DC Power**



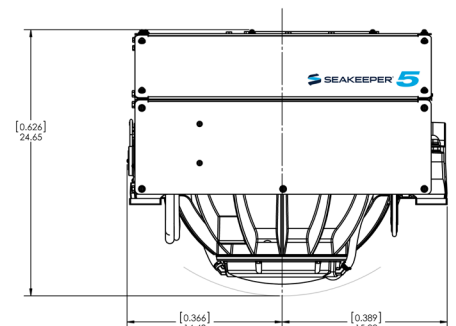
## TECH SPECS

<b>Rated Speed</b>	10,700 RPM
<b>Angular Momentum at Rated RPM</b>	5,000 N-M-S
<b>Max Anti-Rolling Torque at Rated RPM</b>	13,089 N-M
<b>Spool-up Time to Rated RPM</b>	50 minutes (10,700 RPM)
<b>Spool-up Time to Stabilization</b>	35 minutes (9,035 RPM)
<b>Spool-up Power</b>	
AC Motor	2000 Watts Max
DC Control	180 Watts
<b>Operating Power</b>	
AC Motor (sea state dependent)	1500 - 2000 Watts
DC Control	180 Watts
AC Input Voltage	110 - 230 VAC (+/- 10%), 50/60 Hz, Single Phase
DC Input Voltage	12 VDC @ 15 Amps
<b>Sea Water Supply to Heat Exchanger</b>	30 LPM (8 GPM) Maximum 15 LPM (4 GPM) Minimum
<b>Ambient Air Temperature</b>	0° - 60° C (32° - 140° F)
<b>Weight</b>	790 lbs (358 kg) Bolt-in Installation
<b>Envelope Dimensions</b>	Length x Width x Height 29.7 L x 30.0 W x 24.7 H (Inches) 0.755 L x 0.763 W x 0.626 H (Meters)
<b>Noise Output</b>	At full operating RPM, steady state noise measured in the factory at a 1 meter distance measures 70 - 72 dBC. (Sound levels may be higher during spool-up)

## PORT VIEW



## FRONT VIEW



## TOP VIEW

