
TANKWATCH® 4

LEVEL MONITOR SYSTEM

OWNER'S MANUAL



Dometic Corporation • Sanitation Systems
13128 State Rt 226, PO Box 38
Big Prairie, OH 44611
SeaLand Product Customer Service: 1-800-321-9886
(8:00 a.m. - 5:00 p.m. ET)

TABLE OF CONTENTS

Safety Instructions	2	Installation Instructions	4 - 5
Product Features	2	Wiring Diagrams	6
Models and Accessories	2	Parts List	7
Dimensional Specifications	3	Manufacturer's One-Year Limited Warranty	8
Product Specifications	3	Control Panel Mounting Template	

SAFETY INSTRUCTIONS

WARNING: When using this device, always exercise basic safety precautions, including the following:

- Read all instructions before installation or use.
- Never connect this device to any electrical circuit with other than 12 or 24 volt Direct Current or exceed the amperage draw listed below.
- Never install the indicator panel in an atmosphere with potentially flammable or explosive vapors.
- Never install the probe cap with float switches into a tank that contains anything other than fresh, gray or black water.

CAUTION: Dropping or rough handling of float switches may result in damage.

PRODUCT FEATURES

- Eliminates false reading from fouled probes.
- Three float switches, four level indications for all tanks up to 22-inch (559mm) & 45-inch (114cm) in depth.
- Deluxe panel complements bathroom decor and provides international symbology.
- Installs in any rigid tank with optional 3-inch NPT mounting flange.
- One model operates on 12 or 24 VDC.
- Probe cap provides clean out for easy access to interior of tank.
- Cap is available with or without 5/8" vent hose connection.
- Optional shut-off relay plugs into back of circuit board to shut down toilet or water system when gray or black water tank is full or when freshwater tank is empty.
- Always one level light on to confirm that electrical power is applied.
- Only one level light on at a time to eliminate confusion and save battery power.
- CE and IMCI approved for electromagnetic compatibility.

The TankWatch 4 Level Monitor System is designed to permit remote sensing of liquid levels in wastewater, gray water or potable fresh water tanks. The TankWatch 4 utilizes three micro-float switches, which activate a four-light panel. One is fixed and activates a full light when the liquid is within approximately 2-inches of the top inside surface of the tank. The other two float switches are mounted on adjustable stems and can be positioned to within 2-inches of the bottom of the tank. The stems are semi-flexible and are designed to flex with the sloshing of the tank contents. A simple procedure allows one adjustable stem to sense when the tank is empty and the other adjustable stem to sense when the tank is 1/4 or 1/2 full, depending on the application.

MODELS AND ACCESSORIES

Part Number	Description
313600113	TankWatch® 4 Panel and Cap with Vent, 22-inch Probes
313600114	TankWatch® 4 Panel and Cap without Vent, 22-inch Probes
313600115	TankWatch® 4 Panel and Cap with Vent, 45-inch Probes
313600116	TankWatch® 4 Panel and Cap without Vent, 45-inch Probes
307230272	Universal Flange (3-inch NPT) with gasket and stainless steel hardware
600341292	Plug In Relay, 12VDC
600342490	Plug In Relay, 24VDC
385318714	"Do Not Flush" Panel
360600212	TankWatch® 4 Panel with 12VDC Relay
360600224	TankWatch® 4 Panel with 24VDC Relay

PRODUCT SPECIFICATIONS

Product Name: TankWatch® 4 Level Monitor System

Electrical:

12 Volts DC @ .017 amps (without optional relay) and .152 amps (with optional relay)
 24 Volts DC @ .014 amps (without optional relay) and .072 amps (with optional relay)
 Float Switch Rating = 20 watts with resistive load
 12-pin terminal block allows up to one 12-gauge wire per position

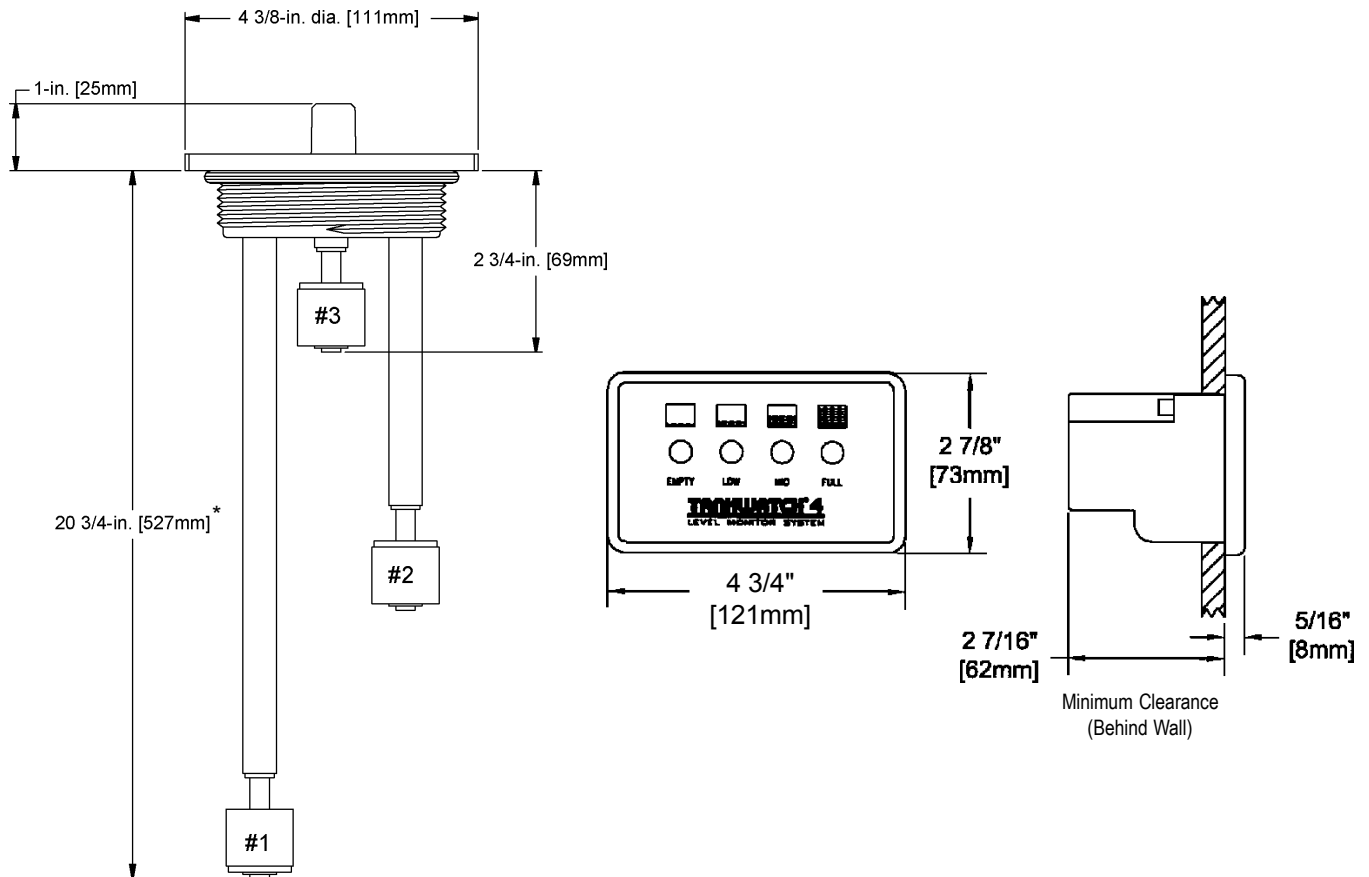
Maximum Tank Pressure: 25 PSI

Materials:

Float	Buna N
Tank Mounted Float Switch Cap	PVC
Float Switch Body	ABS
O-Rings	Nitrile
Adjustable Stems	Cross Linked Polypropylene
Compression Nut	Glass Reinforced Polypropylene
Control Panel Housing	Polypropylene
Face Plate	Polycarbonate

Electrical and dimensional specifications subject to change without notice.

DIMENSIONAL SPECIFICATIONS



* Max length for 45-inch probes is 43 3/4-in. (1111mm).

INSTALLATION INSTRUCTIONS

ADJUSTABLE LEVEL INDICATOR CAP

1. The adjustable level indicator cap is designed for a 3-inch FPT opening. Order P/N 230272 if tank is made of rigid material and not a SeaLand holding tank.
2. Loosen the compression nuts on the adjustable stem bosses and install the cap into the tank. Slide the #1 stem (see dimensional specifications on previous page) down until the float touches the bottom of the tank. Tighten #1 compression nut and mark the stem at the top of the nut with a pen or pencil. Do not cut the stem at this mark. Loosen the compression nut and slide the stem up and carefully cut the #1 stem 1-5/8 inch (41.3mm) below the mark without damaging the switch wires. Pull the wires through the black wire cover and push the stem down into the compression nut until the black wire cover touches the compression nut.
3. Remove the cap from the tank and adjust the #2 stem for 1/2 full level for gray and black water tanks or 1/4 full level for fresh water tanks. Tighten the compression nut and cut the stem off 3/8-inch (9.5mm) above the compression nut without damaging the switch wires. Slip the black wire cover on to the top of the stem.
4. To make the #1 float switch activate the empty light, the float must be positioned with the recessed shoulder at the bottom. Remove the C-clip from the switch body and flip the float 180 degrees and replace the C-clip. (See Diagram #1.)
5. The #2 float switch can activate the mid light on black and gray water tanks and activate the low light on freshwater tanks. The recessed shoulder should be up for black and gray water tanks and down for freshwater tanks. (See Diagram #2.)
6. Route 18-gauge stranded copper wire from the indicator panel to the float switch cap. Use quick disconnect terminals on float switch wires to prevent twisting wires when removing the cap. With cap removed from the tank, connect the wires according to the wiring diagram and test the floats by moving them up and down. Disconnect the wires and install the cap with the O-ring into the tank, then reconnect the wires.
7. For caps with vents, route 5/8-inch vent hose from the thru-hull fitting to the vent connection on the float switch cap. Use stainless steel hose clamps to secure the vent hose connections.

Diagram #1

FRESHWATER TANK
(POTABLE WATER)

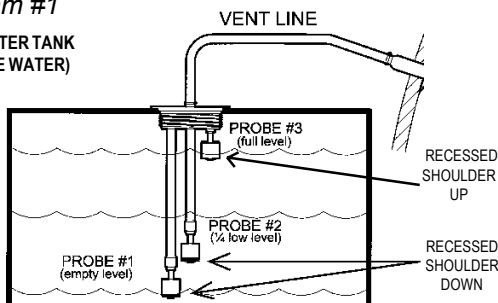
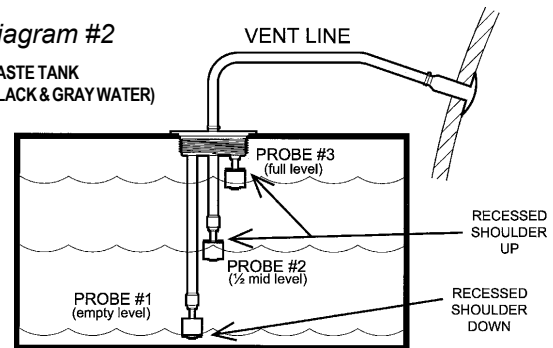


Diagram #2

WASTE TANK
(BLACK & GRAY WATER)



CONTROL PANEL

1. Select a mounting location away from direct contact with water and oil. Dry locations in the bathroom, salon or galley are most desirable.
2. Confirm clearances for the panel behind walls, hull liner or bulkhead.
3. Cut out mounting hole for control panel. (See template for cut-out and hole locations.)
4. Do not mount the control panel until wiring is routed and secured to the terminal block or rear of the control panel housing.
5. Route wiring following one of the wiring diagrams for black, gray or fresh water applications.
6. Include wiring for any of the optional electrical accessories that may be part of the installation and shown in separate wiring diagrams.
7. Mount the control panel with the (4) #6 x 1-inch long black, oval-head screws provided.
8. Determine which tank application the control panel will be monitoring and insert the appropriate color light and matching lens into the correct location following the chart below.

Tank Application	Light & Lens Color Location			
	Empty	Low	Mid	Full
Waste (Black) Water	Green	Yellow	Amber	Red
Gray Water	Green	Yellow	Amber	Red
Fresh Water	Red	Amber	Yellow	Green

INSTALLATION INSTRUCTIONS (con't.)

9. Insert the correct color lens in the appropriate hole from the front side of the face plate, snapping the matching light into the lens firmly. Repeat with the three (3) remaining lens and lights.
10. Insert the (2) small tabs on the left side of the face plate into the housing and snap the large center tab on the right of the face plate into the housing to secure it.

OPTIONAL UNIVERSAL FLANGE

1. Find and mark the top center of the tank.
2. Cut a 4 1/16-inch diameter hole in the top center of the tank.
3. Slip the flange into the hole and mark the location of the five mounting holes.
4. Drill the five mounting holes with a 1/4-inch drill bit.
5. Remove the flange, clean all oils, grease and dirt from the mounting surface and allow to dry.
6. Apply liberal amounts of silicone rubber adhesive to the mounting surface and the underside of the flange.
7. Insert the gasket into the flange and align with the five mounting holes.
8. Secure the flange with the screws, nuts and washers provided.
9. Install the float switch cap and, if applicable, secure the 5/8-inch vent hose to the vent fitting with a stainless steel hose clamp.

OPTIONAL RELAY INSTALLATION

CAUTION: VERIFY THAT RELAY IS CORRECT VOLTAGE FOR SYSTEM (12VDC requires P/N 341292 and 24VDC requires P/N 342490).

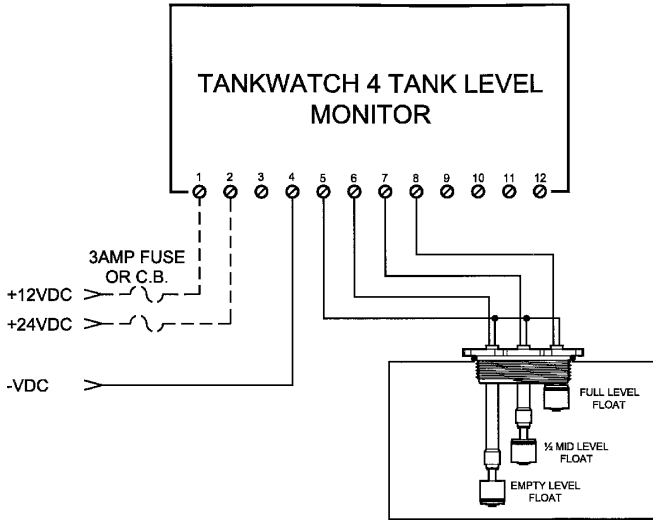
1. Remove the face plate from the housing by prying the right side center tab of face plate from the housing with a small screwdriver. Allow the face plate to be suspended by the light wires.
2. Remove the four housing mounting screws and pull the housing out of the wall or hull liner, exposing the wiring terminal block at the rear of the housing.
3. Mark the wires for terminal block pin location before removing.
4. Remove all wires from the terminal block.
5. Remove the (2) screws securing the circuit board to the housing.
6. Slide the circuit board from the housing and insert the relay into the socket on the rear of the circuit board.
7. Reinstall the circuit board.
8. Route the additional wires (use 12 or 14 gauge stranded copper) to pin 10 and 11 to interrupt power for the toilet or water system, depending on the tank application. (*See optional relay wiring diagram for application details.*)
9. Reinstall all other wires. Turn on power and test circuit.

OPTIONAL "DO NOT FLUSH" (DNF) PANEL INSTALLATION

1. Select a mounting location in the bathroom away from direct contact with water. A location above and behind the toilet at eye level is most desirable. Allow clearance for the toilet lid/seat when in the up position.
2. Drill a 1/2-inch diameter hole for the lamp clearance and wire routing.
3. Remove the face plate from the TankWatch 4 (TW4) housing by prying the right side of the face plate center tab from the housing using a small screw driver.
4. Remove the four housing mounting screws and pull the housing out of the wall of hull liner exposing the terminal block on the rear of the housing.
5. Route wires from pins 1 or 2 and pin 8 of the TW4 to the "DNF" panel through the clearance hole for the "DNF" panel. (*Use 18 gauge or larger stranded copper.*)
6. Install the current limiting resistor supplied with the "DNF" panel between the white wire on the "DNF" panel and the wire from the TW4 terminal block pin 1 or 2 (*see optional Do Not Flush wiring diagram for details*). Insulate the connection with vinyl electrical tape or shrink tubing.
7. Connect the orange wire from the "DNF" panel to the wire from pin 8 of the terminal block on the TW4 panel. Insulate the connection with vinyl electrical tape or shrink tubing.
8. Test the circuit and then mount both panels to the wall or hull liner.

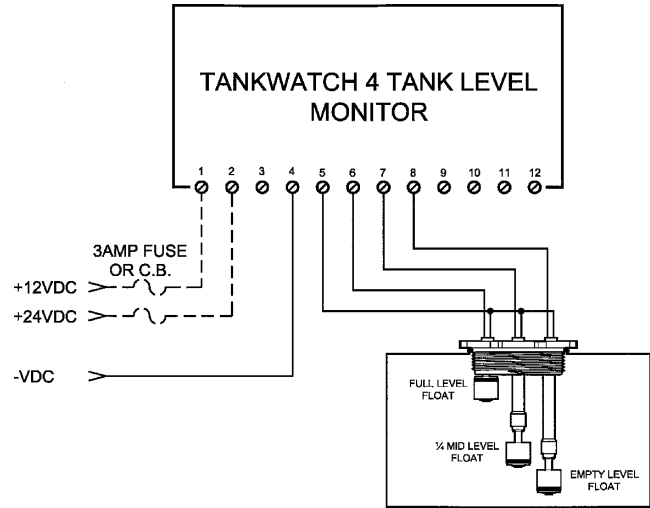
WIRING DIAGRAMS

TANKWATCH 4 TANK LEVEL MONITOR SYSTEM RECOMMENDED WIRING FOR **WASTE WATER AND GRAY WATER TANKS**. USE 18GA. STRANDED COPPER WIRE OR LARGER.



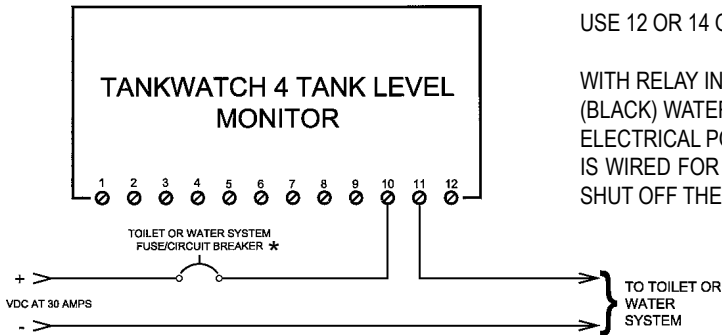
PLEASE NOTE THAT THE RECESSED SHOULDER OF THE FLOAT IS DOWNWARD ON THE EMPTY FLOAT.

TANKWATCH 4 TANK LEVEL MONITOR SYSTEM RECOMMENDED WIRING FOR **WATER TANKS**. USE 18GA. STRANDED COPPER WIRE OR LARGER.



PLEASE NOTE THAT THE RECESSED SHOULDER OF THE FLOAT IS DOWNWARD ON THE EMPTY AND 1/4 MID FLOAT.

OPTIONAL PLUG-IN RELAY WIRING DIAGRAM

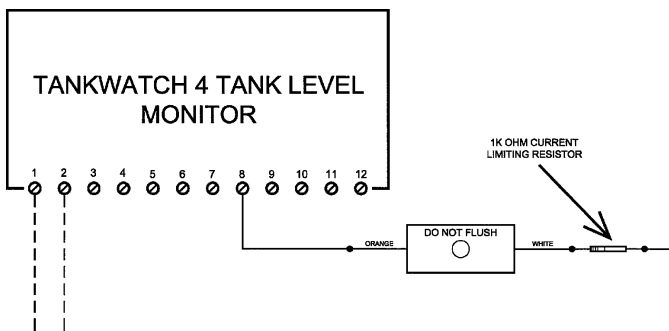


USE 12 OR 14 GAUGE COPPER STRANDED WIRE.

WITH RELAY INSTALLED, AND THE TANKWATCH 4 WIRED FOR A WASTE (BLACK) WATER TANK. THE TANK FULL FLOAT SWITCH WILL SHUT OFF ELECTRICAL POWER TO THE TOILET SYSTEM. WHEN THE TANKWATCH 4 IS WIRED FOR A FRESH WATER TANK, THE EMPTY FLOAT SWITCH WILL SHUT OFF THE WATER PUMP WHEN THE TANK IS EMPTY.

*Consult toilet or water system specifications for proper fusing or circuit breaker size. Do not exceed 30 amps.

OPTIONAL "DO NOT FLUSH" PANEL WIRING DIAGRAM

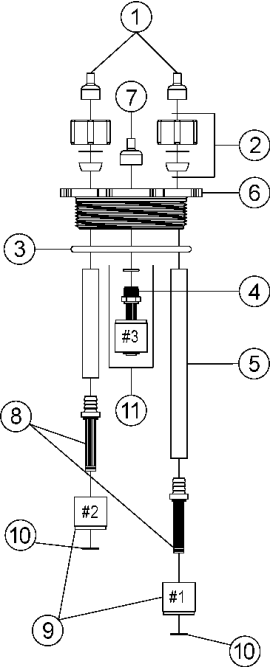
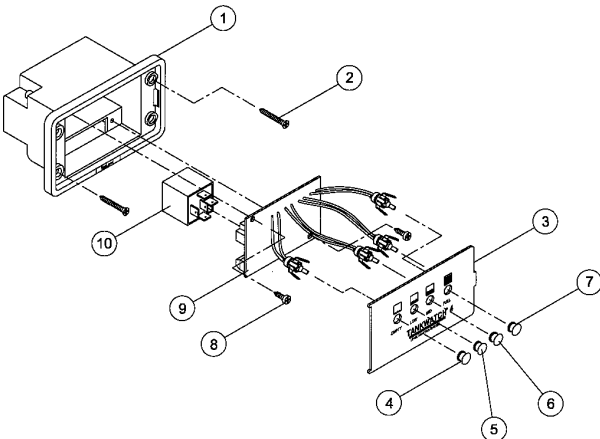
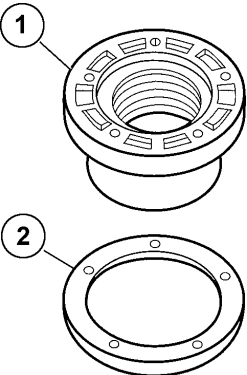


USE 16 OR 18 GAUGE COPPER STRANDED WIRE.

UP TO 4 "DO NOT FLUSH" PANELS CAN BE USED WITH ONE TANKWATCH 4 INDICATOR PANEL.

PIN 1 FOR 12VDC SYSTEMS
PIN 2 FOR 24VDC SYSTEMS

PARTS LIST

TankWatch 4 Probe Cap	Item	Part Number	Description
	1 2 3 4 5 6 6 7 8 9 10 11 12	600342260 385310258 600347587 600340425 600342238 600342114 600342115 600342262 600343657 600340423 600340424 385230268 385230930	Wire Cover, Pull Tab Cap Compression Nut/Washer Kit Cap O-Ring Reed Switch Stem (threaded) Polyethylene Tubing Adjustable Level Cap with Vent Adjustable Level Cap without Vent Wire Cover, Pull Tab Cap Reed Switch Stem (barbed) Reed Float Ring Clip Float Stem Kit (incl. items 4, 9, 10) Probe Kit (incl. items 5, 8-10)
<p>NOTE: If it is necessary to remove or replace the Float Switch Assembly (item 4) be sure to use the O-ring and tighten switch to 8-10 inch-lbs. Over-tightening is not necessary and will cause damage to the parts.</p>			
TankWatch 4 Panel	Item	Part Number	Description
	1 2 3 4 5 6 7 8 9 *10	600342400 600340471 600343662 600343661 600342495 600343598 600342494 600342493 600340488 385310693 600341292 600342490 385310666	Housing, Indicator Panel Screw, #6 x 1" Phillips, Oval Head TankWatch 4 Face Plate - Black TankWatch 4 Face Plate - White Lens, Green Lens, Yellow Lens, Amber Lens, Red Screw, #6 x 3/8" Pan Head, Phillips TankWatch 4 Control Panel Optional 12VDC Relay Optional 24VDC Relay TankWatch 4 Indicator Panel (items 1-9) (not shown)
<p>* Standard with Part Nos. 360600212 and 360600224 only.</p>			
Universal Flange Adapter	Item	Part Number	Description
	1 2 3	600340406 600340407 307230272	Universal Mounting Flange Universal Mounting Flange Gasket Universal Mounting Flange Kit (Complete with items 1, 2, mounting hardware and instructions.)

MANUFACTURER'S ONE-YEAR LIMITED WARRANTY

Dometic Corporation warrants, to the original purchaser only, that this product, if used for personal, family or household purposes, is free from defects in material and workmanship for a period of one year from the date of purchase.

If this Dometic product is placed in commercial or business use, it will be warranted, to the original purchaser only, to be free of defects in material and workmanship for a period of ninety (90) days from the date of purchase.

Dometic reserves the right to replace or repair any part of this product that proves, upon inspection by Dometic, to be defective in material or workmanship. All labor and transportation costs or charges incidental to warranty service are to be borne by the purchaser-user.

EXCLUSIONS

IN NO EVENT SHALL **DOMETIC** BE LIABLE FOR INCIDENTAL OR CONSEQUENTIAL DAMAGES, FOR DAMAGES RESULTING FROM IMPROPER INSTALLATION, OR FOR DAMAGES CAUSED BY NEGLIGENCE, ABUSE, ALTERATION OR USE OF UNAUTHORIZED COMPONENTS. ALL IMPLIED WARRANTIES, INCLUDING ANY IMPLIED WARRANTY OF MERCHANTABILITY OR FITNESS FOR ANY PARTICULAR PURPOSE, ARE LIMITED TO A PERIOD OF ONE YEAR FROM DATE OF PURCHASE.

IMPLIED WARRANTIES

No person is authorized to change, add to, or create any warranty or obligation other than that set forth herein.

Implied warranties, including those of merchantability and fitness for a particular purpose, are limited to one (1) year from the date of purchase for products used for personal, family or household purposes, and ninety (90) days from the date of purchase for products placed in commercial or business use.

OTHER RIGHTS

Some states do not allow limitations on the duration of an implied warranty and some states do not allow exclusions or limitations regarding incidental or consequential damages; so, the above limitations may not apply to you. This warranty gives you specific legal rights, and you may have other rights which may vary from state to state.

To obtain warranty service, first contact your local dealer from whom you purchased this product.



Dometic Corporation • Sanitation Systems
13128 State Rt 226, PO Box 38
Big Prairie, OH 44611
SeaLand Product Customer Service: 1-800-321-9886
(8:00 a.m. - 5:00 p.m. ET)
Email: sealand@dometicusa.com

® Formica is a registered trademark of Formica Corp.
® Registered; ™ Trademark of Dometic Corporation
© Dometic Corporation

CONTROL PANEL MOUNTING TEMPLATE

